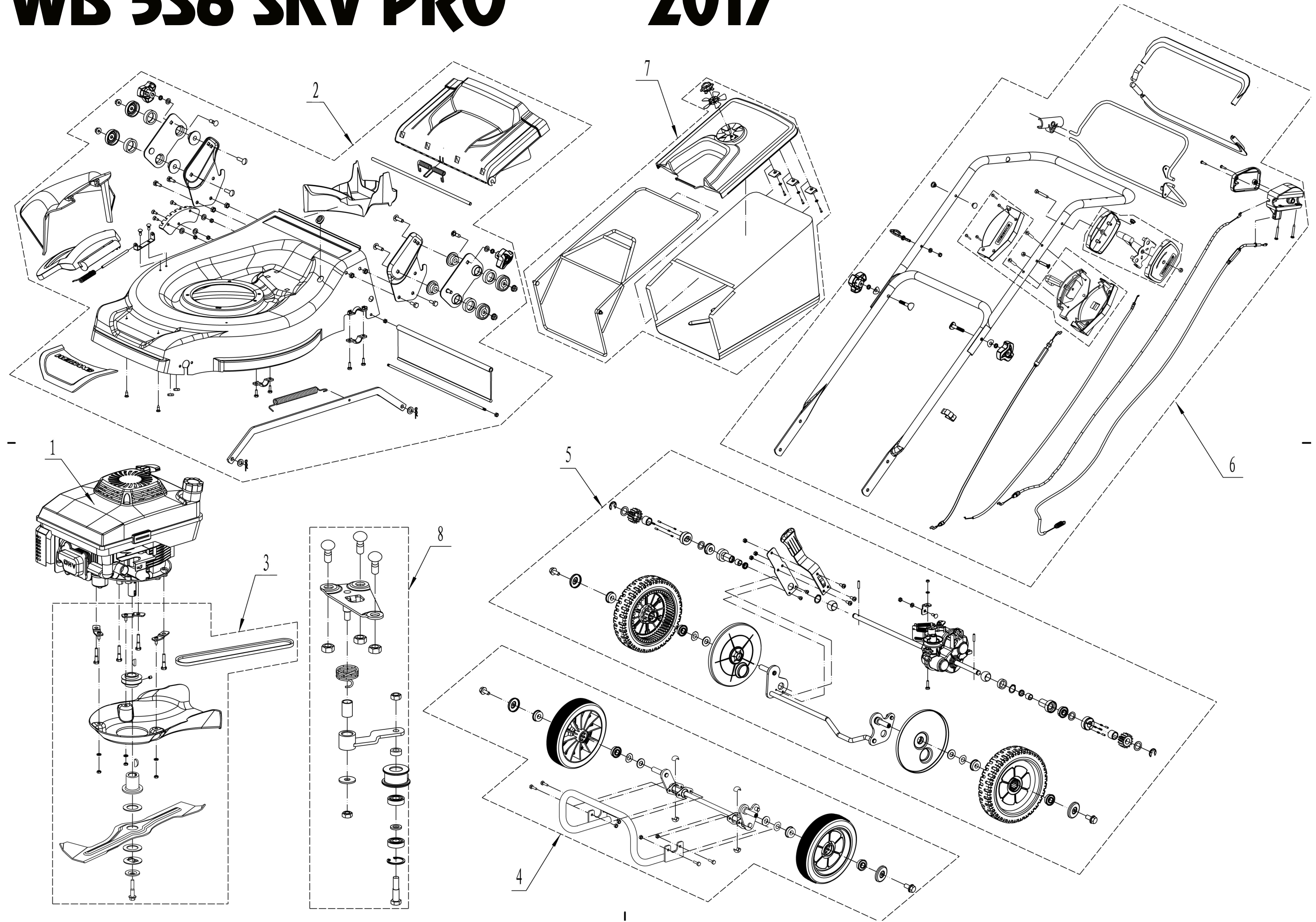
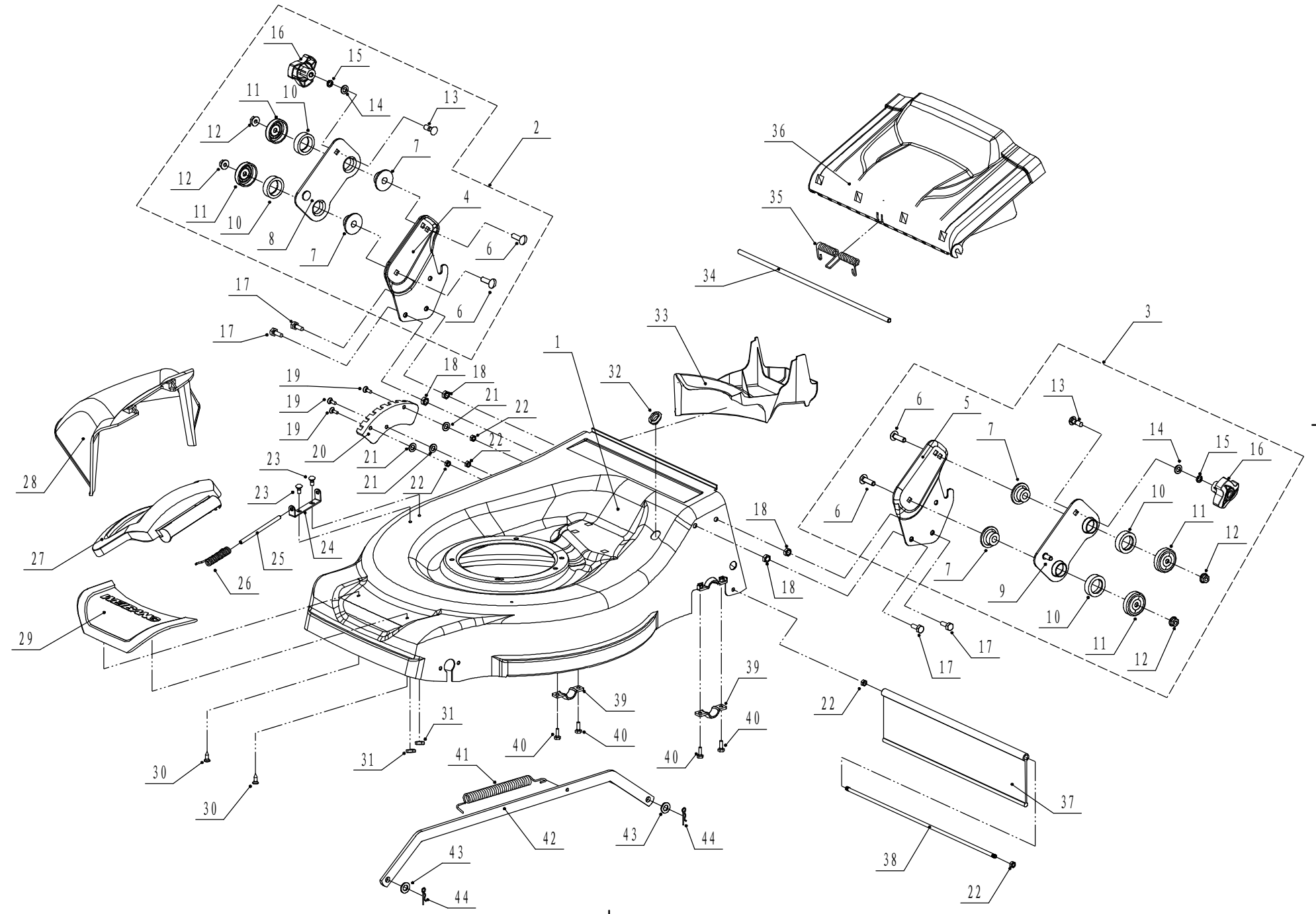


# WB 536 SKV PRO

# 2017

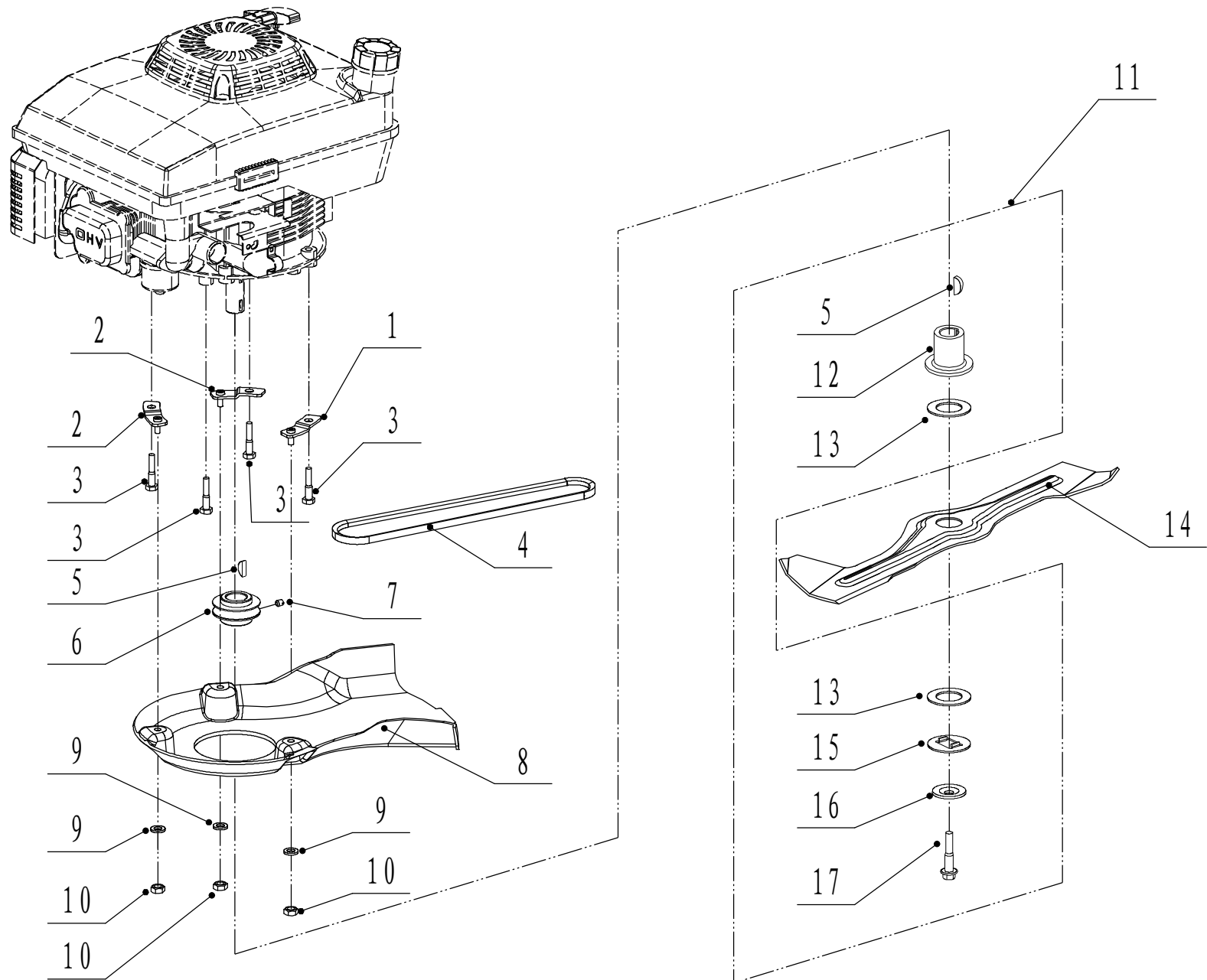


# 2 WB536SK V-3IN1-P底盘部分 (AVS减震)



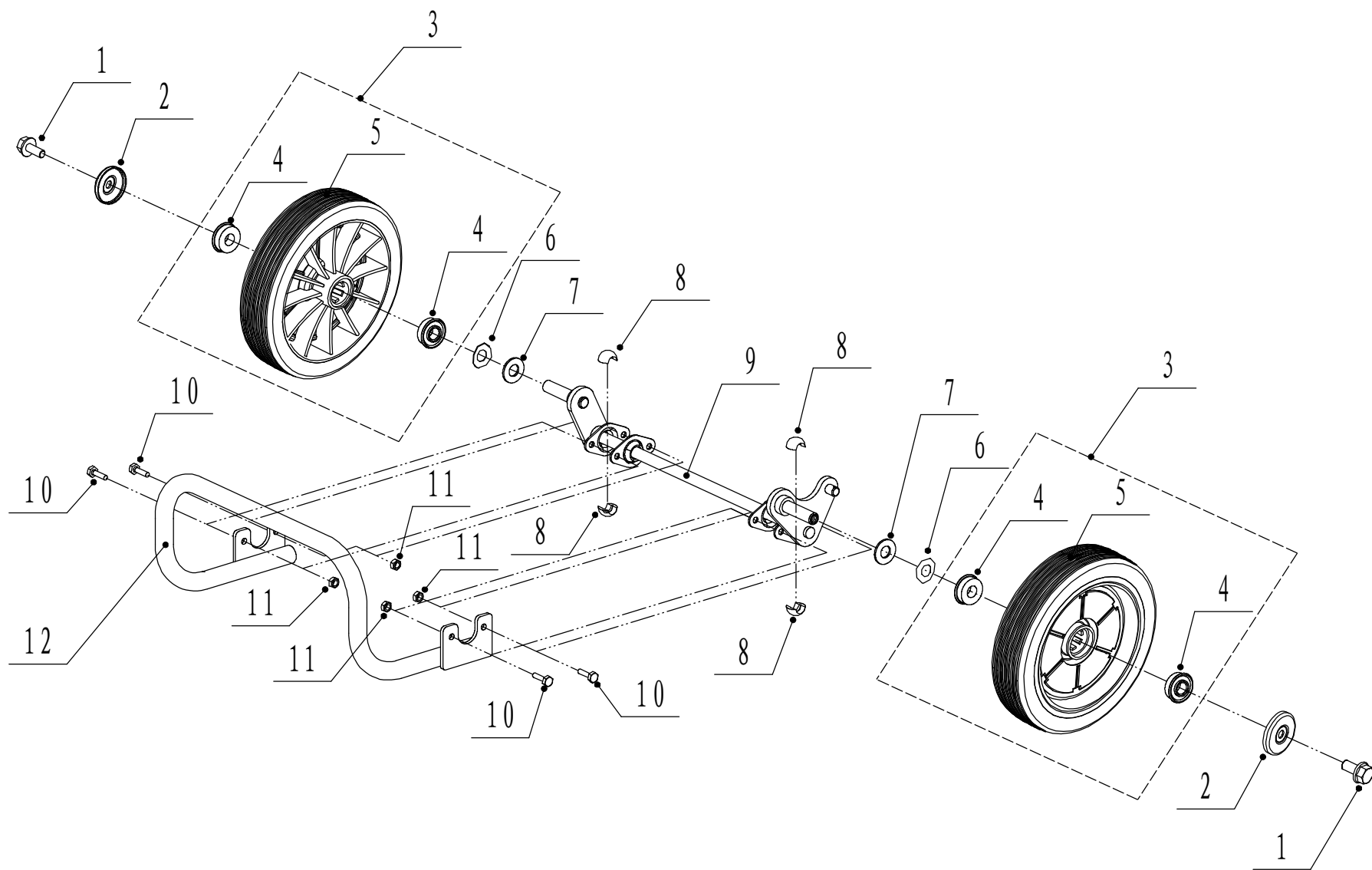
Order	Part number	Name_English	Quantity
1	5360101010C/44	chassis	1
2	Y19GDTL3	right-AVS assembly	1
3	Y19GDTR3	left-AVS assembly	1
4	5360125020/22	right bracket	1
5	5360124020/22	left bracket	1
6	0107008030	square neck bolt	4
7	AVS040000000	AVS base	4
8	AVS030000000/22	right bracket base	1
9	AVS020000000/22	left bracket base	1
10	AVS000000020	AVS	4
11	AVS000000010/22	AVS cover	4
12	0204008000	lock nut	4
13	4510513010/01	square neck bolt	2
14	0301006000	flat washer	2
15	0401008000	spring washer	2
16	AVS010000000/80	lock knob	2
17	0102008016	bolt	4
18	0202008000	lock nut	4
19	0104006016	cross slot screw	3
20	5360123010/01	graduater	1
21	0301006000	flat washer	3
22	0202006000	lock nut	5
23	0107006014	square neck bolt	2
24	5020118010/02	side discharge cover bracket	1
25	5020120010/02	side discharge cover spring	1
26	5020119010	side discharge cover pivot	1
27	5360119010J	cover	1
28	5360120010J	side discharge deflector	1
29	5360114010	front mask	1
30	0106004013	cross slot ST screw	2
31	0204006000	lock nut	2
32	5360122010	rubber ring	1
33	5360115010	mulching plug	1
34	5360117010/02	rear cover pivot	1
35	5360118010	rear cover spring	1
36	5360116010	rear cover	1
37	5360127010	rear pivot	1
38	5360126010/02	rear deflector	1
39	5320114020/01	upper bearing bracket	2
40	0102006012	hex flange bolt	4
41	5320332010/01	connecting rod spring	1
42	5360308010/44	connector rod	1
43	0301010000	flat washer	2
44	5320333010	spring clip	2

### 3 WB536SK V-3IN1-P刀片组件



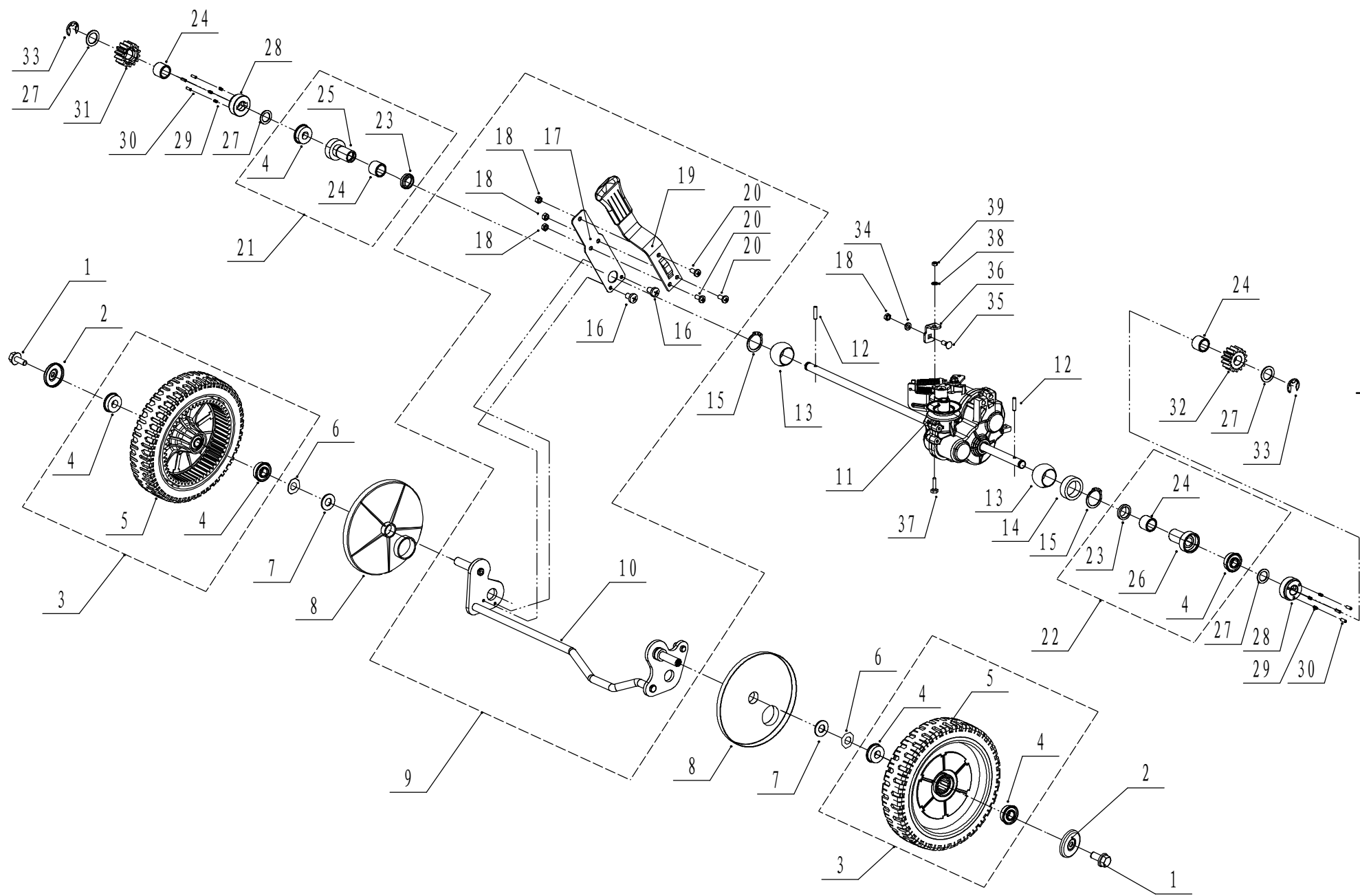
Order	Part number	Name_English	Quantity
1	5360111010/02	engine washer 1	1
2	5360112010/02	engine washer 2	2
3	5320115010	ST screw	4
4	5320119011	V belt	1
5	4510401010	key	2
6	5020402070/02	engine pulley	1
7	0105006006	locating screw	1
8	5360113010	belt shield	1
9	0302006000	big flat washer	3
10	0202006000	lock nut	3
11	5320404002		1
12	5320404020/02		1
13	5310402010	friction washer	2
14	5310403010A/22	blade	1
15	5310404010/02	lock ring	1
16	5310406010/04	spring washer	1
17	5320405010	central bolt	1

# 4 WB536SK V-3IN1-P前轴总成



Order	Part number	Name_English	Quantity
1	0102008016	bolt	2
2	48R0210012/01	wheel hub cap	2
3			
4	5310213010	bearing	4
5	5340206011	front wheel	2
6	5310211010/04	spring washer	2
7	5310210010/02	washer	2
8	5310209010	spherical surface bearing	4
9	5360201010/01	front shaft weldment	1
10	0102006016	hex flange bolt	4
11	0202006000	bumper	4
12	5360121010/22	bumper	1

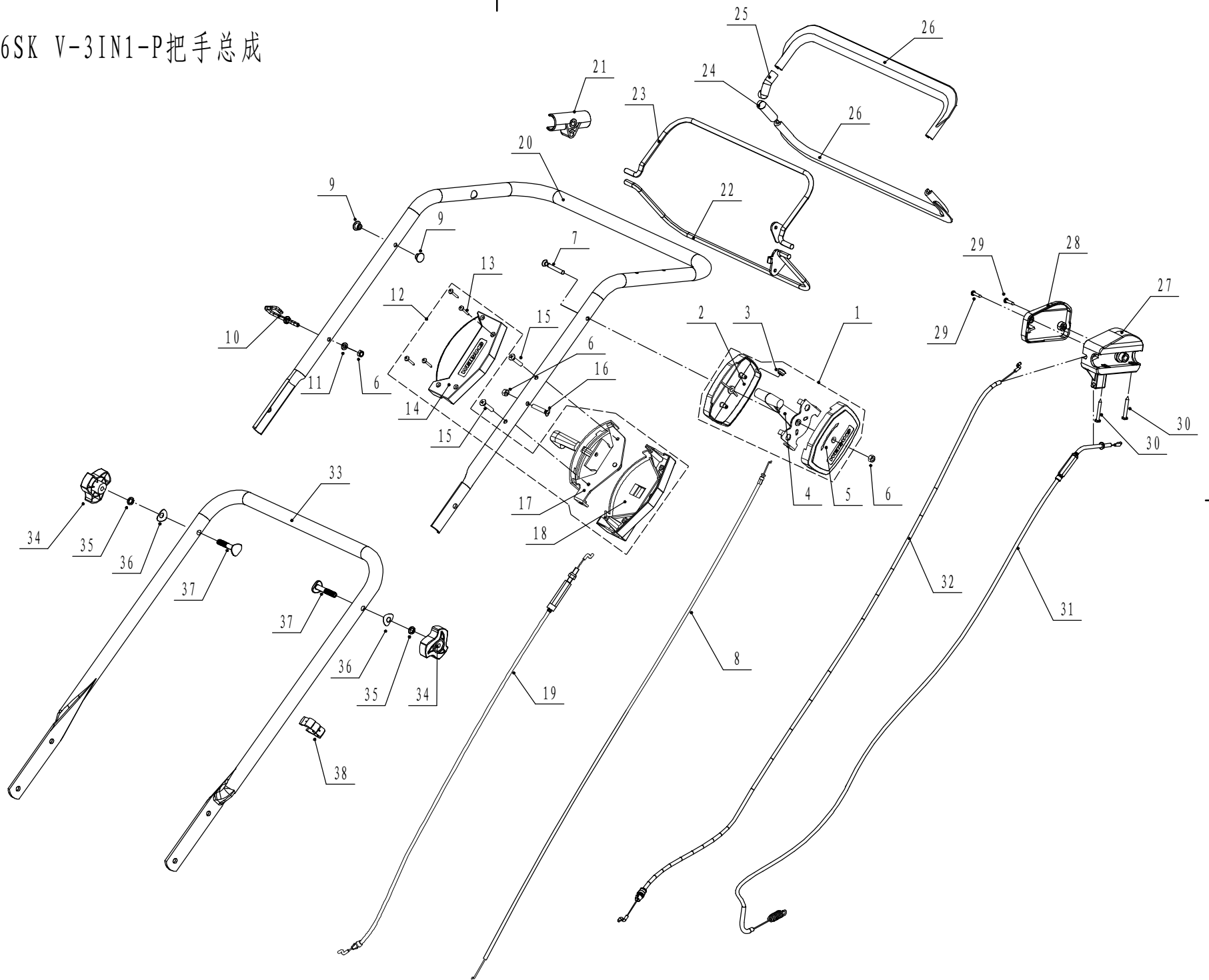
# 5 WB536SK V-3IN1-P后轴总成





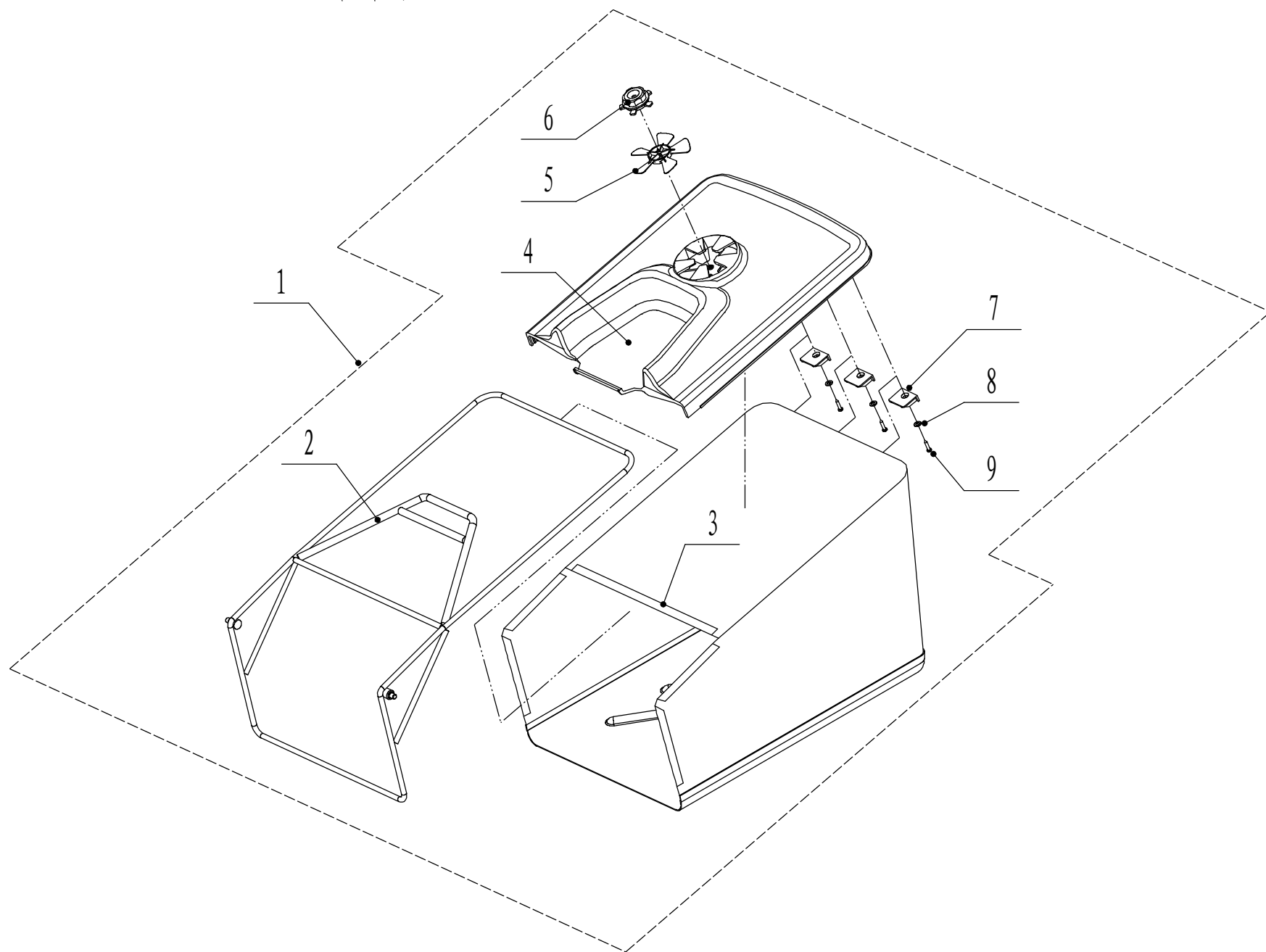
Order	Part number	Name_English	Quantity
1	0102008016	bolt	2
2	48R0210012/01	wheel hub cap	2
3			2
4	5310213010	bearing	6
5	5340309011	wheel AL	2
6	5310211010/04	spring washer	2
7	5310210010/02	washer	2
8	5340310010	rear wheel shield	2
9			1
10	5360301010C/01	rear shaft weldment	1
11		profession rear transmission	1
12	HQ000100060	Check holder	2
13	5320328010	nylon spherical surface bearing	2
14	4520313010/02	rear transmission spacer	1
15	1001020000	check ring for shaft	2
16	0104005008	cross slot screw	2
17	5360311010/22	spring of adjustment lever	1
18	0202006000	lock nut	4
19	5360310010	adjustment lever	1
20	0104006014	cross slot screw	3
21	Y065321	left bearing sheath assembly	1
22	Y065320	right bearing sheath assembly	1
23	5320327010	dustproof ring	2
24	5320326010	bearing	4
25	5320325020/02	right bearing sheath	1
26	5320324020/02	left bearing sheath	1
27	5020311010	washer	4
28	HQ000100050	Unidirectional block	2
29	HQ000100040	Unidirectional telescopic pin spring	6
30	HQ000100030	Unidirectional telescopic pin	6
31	HQ000100020	right pinion	1
32	HQ000100010	left pinion	1
33	1301009000	check ring	2
34	0301006000	flat washer	1
35	0107006014	square neck bolt	1
36	5360307010C/02		1
37	0101005020	bolt	1
38	0301005000	flat washer	1
39	0202005000	lock nut	1

6 WB536SK V-3IN1-P把手总成



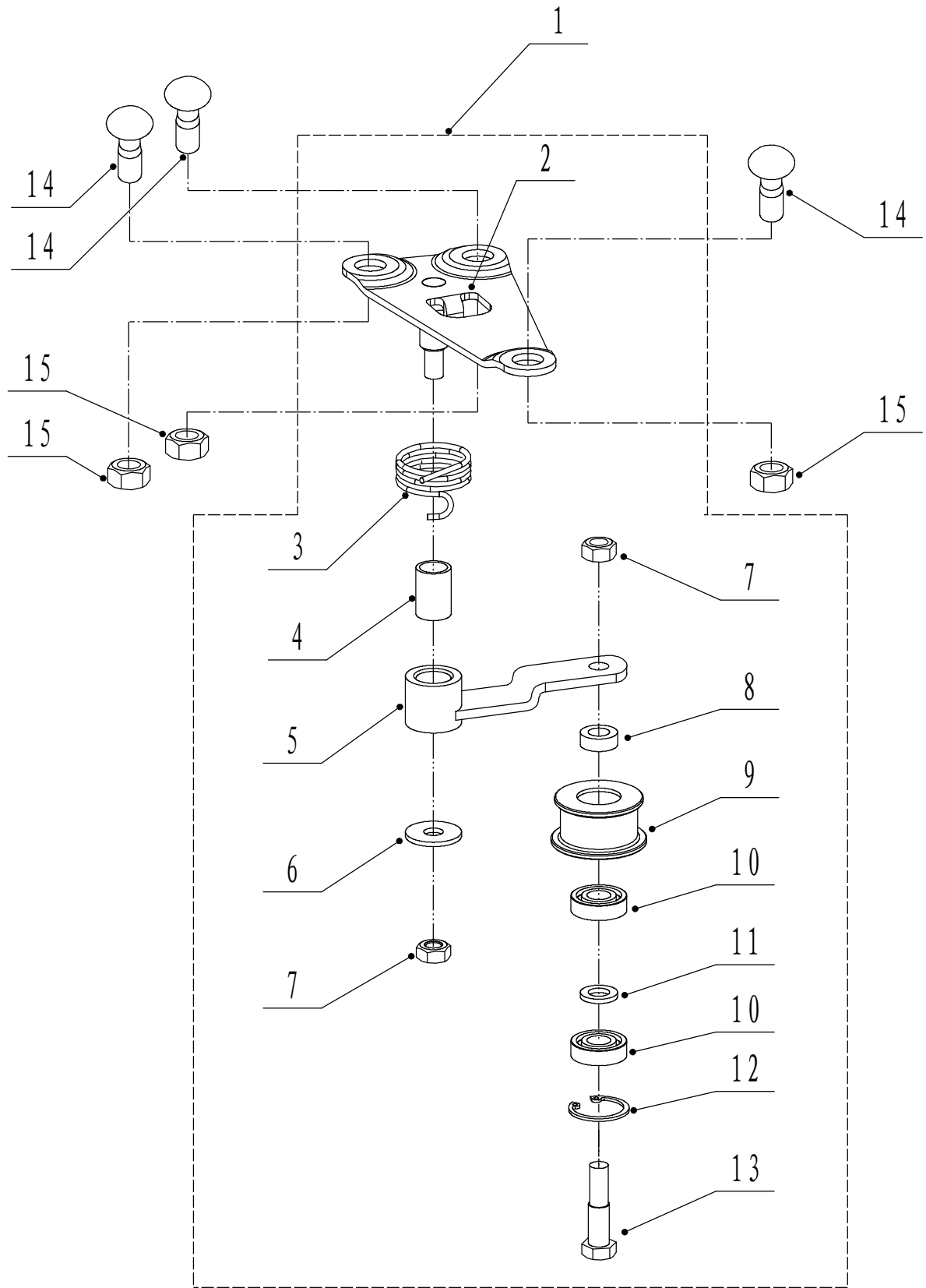
Order	Part number	Name_English	Quantity
1	4820519000	throttle control box assembly	1
2	4820520010	left cover of throttle control box	1
3	4820520020	plug of throttle control box	1
4	4820518020	throttle controler frame	1
5	4820519010	right cover of throttle control box	1
6	0202006000	lock nut	3
7	0108006050	cross slot screw	1
8	4820539010	throttle cable	1
9	4820513010	plug for handle hole	2
10	4510511010/01	start rope hook	1
11	0301006000	flat washer	1
12	4820528000	speed adjustment box assembly	1
13	0106004025	cross slot ST screw	4
14	4820528010	upper cover of speed adjustment box	1
15	0108006030	cross slot screw	2
16	0108006035	cross slot screw	1
17	4820530010	speed controler frame	1
18	4820529010	bottom cover of speed adjustment box	1
19	5340133010	speed adjustment cable	1
20	5340501010/22	upper handle	1
21	4820511010	hinge bracket	1
22	5340503010/22	clutch lever weldment	1
23	5340502010/22	brake lever weldment	1
24	4820510010	clutch lever elbow cover	1
25	4820505010	brake lever elbow cover	1
26	5340505010	control lever cover	2
27	4820515010	control lever cable box	1
28	4820516010	control lever cable box cover	1
29	0106004016	cross slot ST screw	2
30	0106005038	cross slot ST screw	2
31	5340510010	clutch cable	1
32	4820538010	brake cable	1
33	5340506010/22	lower handle	1
34	4820541010/80	lock knob	2
35	0401008000	spring washer	2
36	4510510010/02	arc washer	2
37	5310510010/01	connecting bolt	2
38	5320517010	cable clip	1

7 WB536SK V-3IN1-P集草袋总成



Order	Part number	Name_English	Quantity
1			1
2	5360602010/22	grass catcher frame	1
3	5360603010/81	grass bag	1
4	5360604010	top cover of grass catcher	1
5	5360605010	fan	1
6	5360606010	fan cap	1
7	5360607010	clip	3
8	0301004000	flat washer	3
9	0106004022	cross slot ST screw	3

# 8 WB536SK V-3IN1-P涨紧机构



Order	Part number	Name_English	Quantity
1	Y095361		1
2	5360129010C/02	tensional arm bracket	1
3	5360132010C	spring	1
4	4820112010		1
5	5360133010C/02		1
6	0302008000	big spacer	1
7	0202008000	lock nut	2
8	5340129010/02	spacer1	1
9	5340128010	tensional pulley	1
10	609/2RS	bearing	2
11	5340130010/02	spacer2	1
12	1001024000	check ring for shaft	1
13	5340131010/02		1
14	0107010025	square neck bolt	3
15	0202010000	lock nut	3