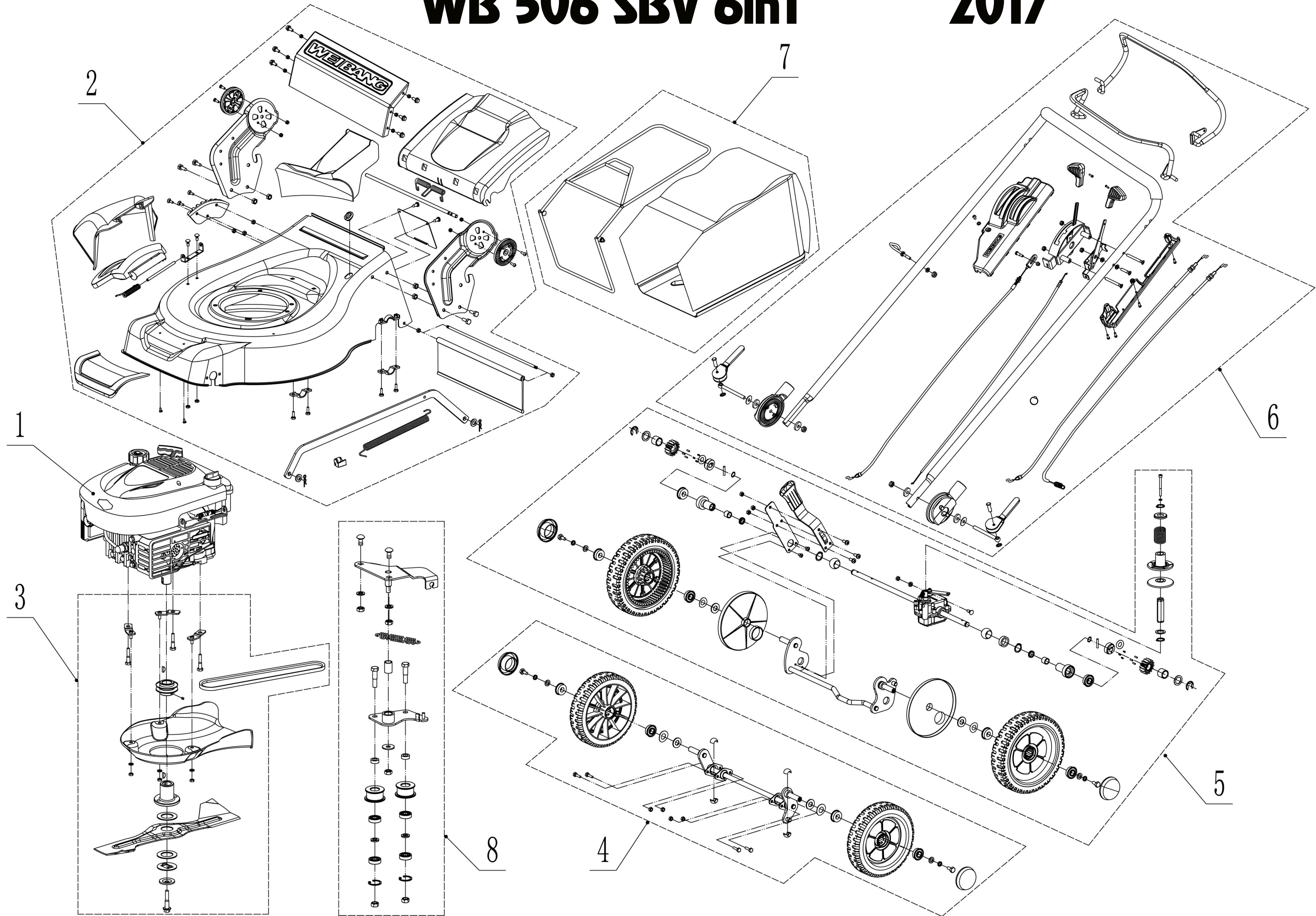
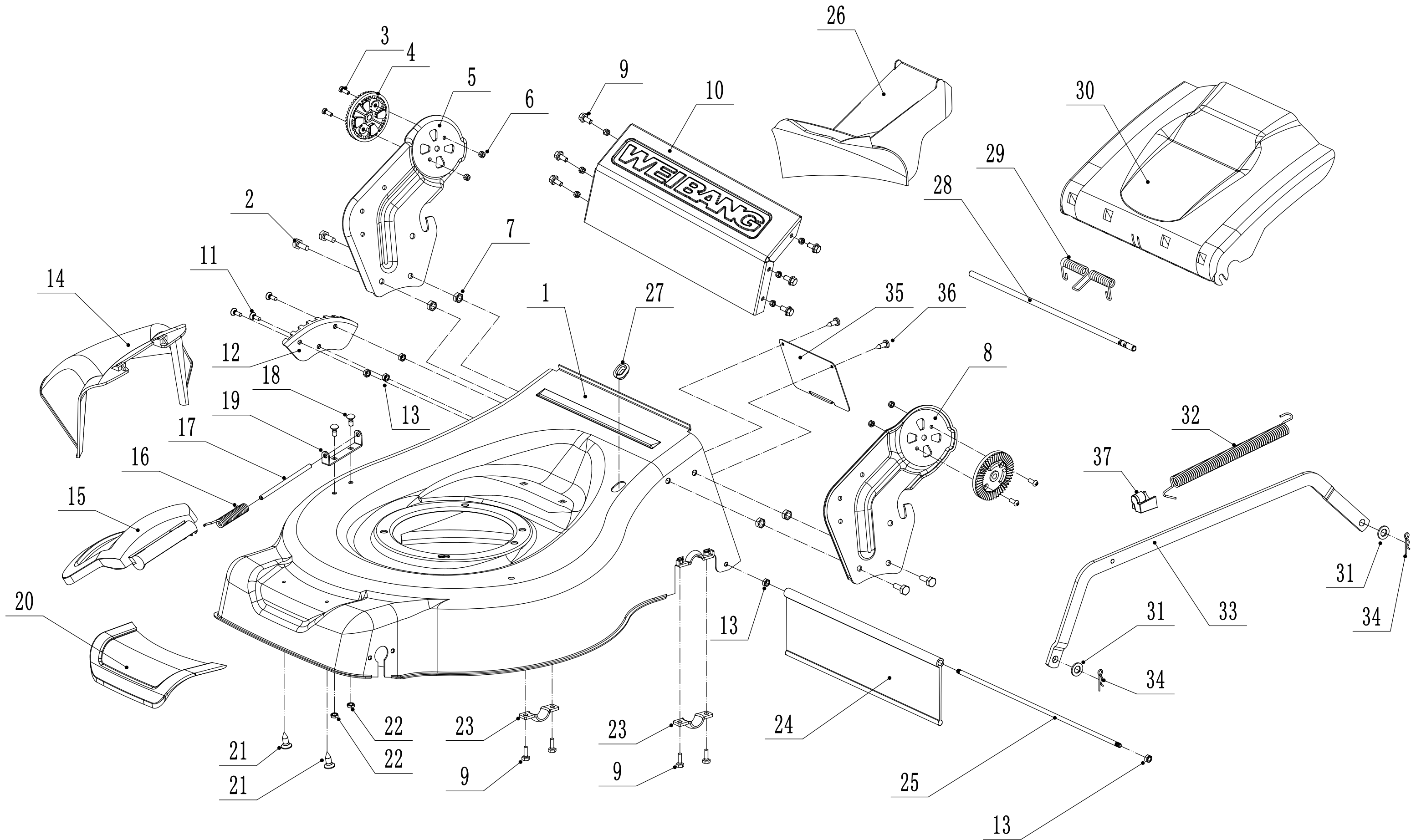


WB 506 SBV 6in1

2017



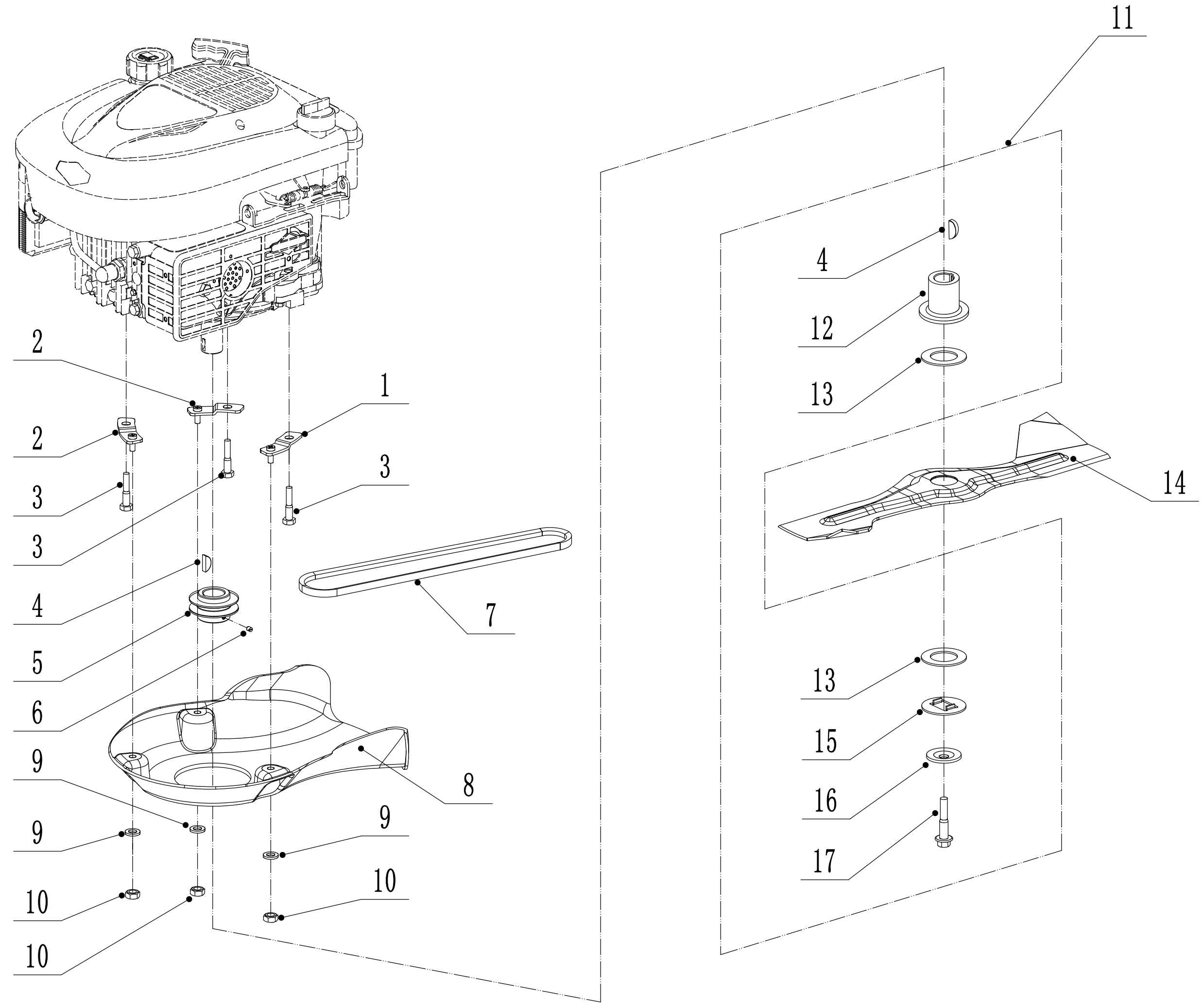
2 WB506SB V-3in1 Main Body



Part 2 - Main Body

| No. | ID Zboží | Název |
|-----|------------------|------------------------------|
| 1 | 5040101011/44 | chassis |
| 2 | 0102008016 | bolt |
| 3 | 0104005012 | screw |
| 4 | AVSA000000040/22 | tooth disc |
| 5 | 4560112010K/44 | right bracket |
| 6 | 0202005000 | lock nut |
| 7 | 0202008000 | lock nut |
| 8 | 4560111010K/44 | left bracket |
| 9 | 0102006012 | bolt |
| 10 | 5040111030/44 | connector |
| 11 | 0104006016 | cross slot screw |
| 12 | 4560110010/01 | graduator |
| 13 | 0202006000 | lock nut |
| 14 | 5040108010 | side discharge deflector |
| 15 | 5040107010 | cover |
| 16 | 5020119010 | side discharge cover pivot |
| 17 | 5020120010/02 | side discharge cover spring |
| 18 | 0107006014 | square neck bolt |
| 19 | 5020118010/02 | side discharge cover bracket |
| 20 | 5040103010 | front mask |
| 21 | 0106004013 | cross slot ST screw |
| 22 | 0204006000 | lock nut |
| 23 | 5320114020/01 | upper bearing bracket |
| 24 | 5040113010 | rear deflector |
| 25 | 5040112010/02 | rear pivot |
| 26 | 5040104010 | mulching plug |
| 27 | 5360122010 | rubber ring |
| 28 | 5040106010/02 | rear cover pivot |
| 29 | 5360118010 | rear cover spring |
| 30 | 5040105010 | rear cover |
| 31 | 0301010000 | flat washer |
| 32 | WB2100020102/01 | connecting rod spring |
| 33 | 5040109050/44 | connecting rod |
| 34 | 5320333010 | spring clip |
| 35 | 5360105010D/44 | shield |
| 36 | 0106004009 | ST screw |
| 37 | 4560109012 | spring bracket |

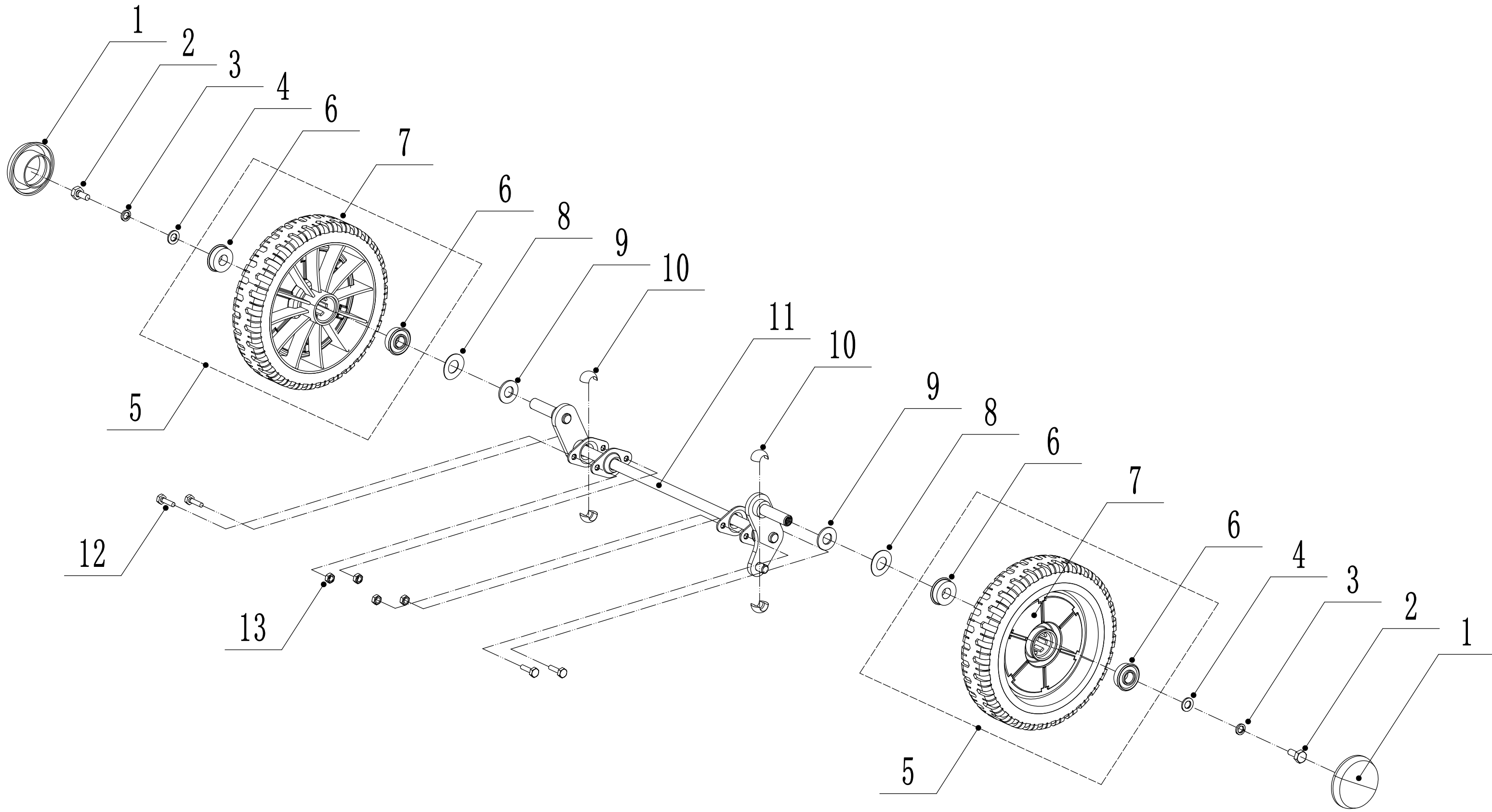
3 WB506SB V-3in1 Blade System



Part 3 - Blade Systém

| No. | ID Zboží | Název |
|-----|----------------|-----------------|
| 1 | 5360111010/02 | engine washer 1 |
| 2 | 5360112010/02 | engine washer 2 |
| 3 | 5320115010 | ST screw |
| 4 | 5310401010 | key |
| 5 | 5380402010/02 | engine pulley |
| 6 | 0105006006 | locating screw |
| 7 | 5620133010S | V belt |
| 8 | 5040102010 | belt shield |
| 9 | 0302006000 | big flat washer |
| 10 | 0202006000 | lock nut |
| 11 | | |
| 12 | 5320404010/02 | adapter |
| 13 | 5310402010 | friction washer |
| 14 | 5020405010A/35 | blade |
| 15 | 5310404010/02 | lock ring |
| 16 | 5310406010/04 | spring washer |
| 17 | 5320405010 | central bolt |

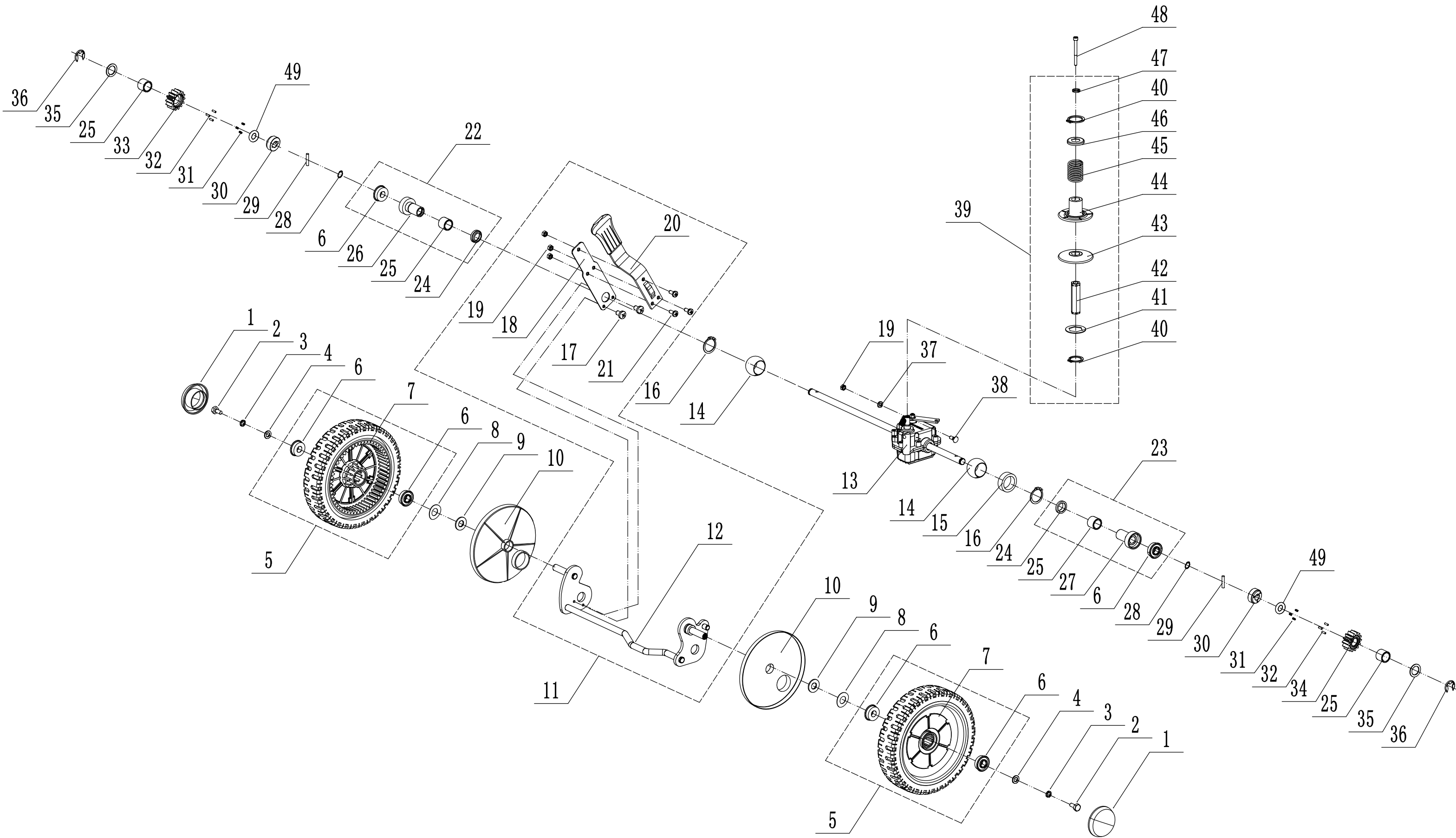
4 WB506SB V-3in1 Front Axle



Part 4 - Front Axle

| No. | ID Zboží | Název |
|-----|---------------|--------------------|
| 1 | 5310214010 | wheel cover |
| 2 | 0101008015 | bolt |
| 3 | 0401008000 | spring washer |
| 4 | 0301008000 | flat washer |
| 5 | 5310212010 | wheel |
| 6 | 5310213010 | bearing |
| 7 | | |
| 8 | 5310211010/02 | equalizing spring |
| 9 | 5310210010/02 | wheel axis spacer |
| 10 | 5310209010 | ball bearing |
| 11 | 5040201020/01 | front axle welding |
| 12 | 0102006012 | hex flange bolt |
| 13 | 0202006000 | lock nut |

5 WB506SB V-3in1 Rear Axle

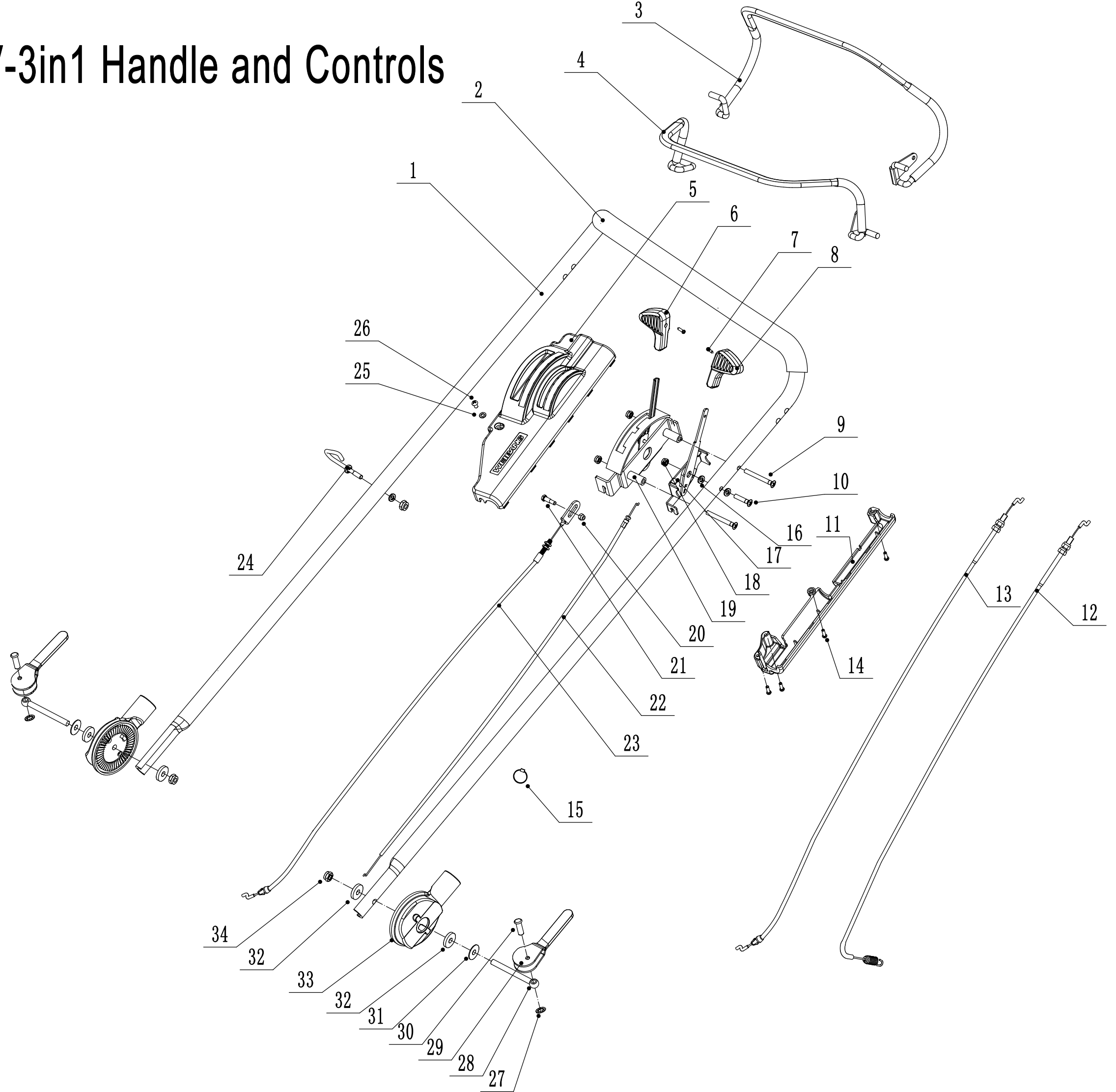


Part 5 - Rear Axle

| No. | ID Zboží | Název |
|-----|---------------|--------------------------------------|
| 1 | 5310214010 | wheel cover |
| 2 | 0101008015 | bolt |
| 3 | 0401008000 | spring washer |
| 4 | 0301008000 | flat washer |
| 5 | 5340309010 | wheel |
| 6 | 5310213010 | bearing |
| 7 | | |
| 8 | 5310211010/02 | equalizing spring |
| 9 | 5310210010/02 | wheel axis spacer |
| 10 | 5340310010 | anti-dust cover |
| 11 | | |
| 12 | 5040301013/01 | rear shaft weldment |
| 13 | Y20504V0P | rear transmission |
| 14 | 5320328010 | nylon surface bearing |
| 15 | 5320329010/02 | rear transmission spacer |
| 16 | 1001020000 | check ring for shaft |
| 17 | 0104005008 | cross slot bolt |
| 18 | 5360311010/22 | spring of adjustment lever |
| 19 | 0202006000 | lock nut |
| 20 | 5360310010 | adjustment lever |
| 21 | 0104006014 | cross slot screw |
| 22 | Y065321 | left bearing sheath assembly |
| 23 | Y065320 | right bearing sheath assembly |
| 24 | 5320327010 | dustproof ring |
| 25 | 5320326010P | bearing |
| 26 | 5320325020/02 | right bearing sheath |
| 27 | 5320324020/02 | left bearing sheath |
| 28 | 1001012000 | check ring for shaft |
| 29 | HQ000100060 | Check holder |
| 30 | HQ000100050 | Unidirectional block |
| 31 | HQ000100040 | Unidirectional telescopic pin spring |
| 32 | HQ000100030 | Unidirectional telescopic pin |
| 33 | HQ000100020 | right pinion |
| 34 | HQ000100010 | left pinion |
| 35 | 5020311010/04 | friction mat |
| 36 | 1301009000 | check ring |
| 37 | 0301006000 | flat washer |
| 38 | 0107006014 | square neck bolt |

| | | |
|----|---------------|-------------------------|
| 39 | Y115380 | speed variator assembly |
| 40 | 1001017000 | check ring for shaft |
| 41 | 4820320010/02 | inner hex hole washer |
| 42 | 4820321010/02 | hex adapter |
| 43 | 5380309010 | lower pulley disc |
| 44 | 5380308010 | active pulley disc |
| 45 | 4820324010 | spring |
| 46 | 4820325010/02 | spring cap |
| 47 | 0401005000 | spring washer |
| 48 | 0103005055 | inner hex bolt |
| 49 | 1401025015 | o sealing ring |

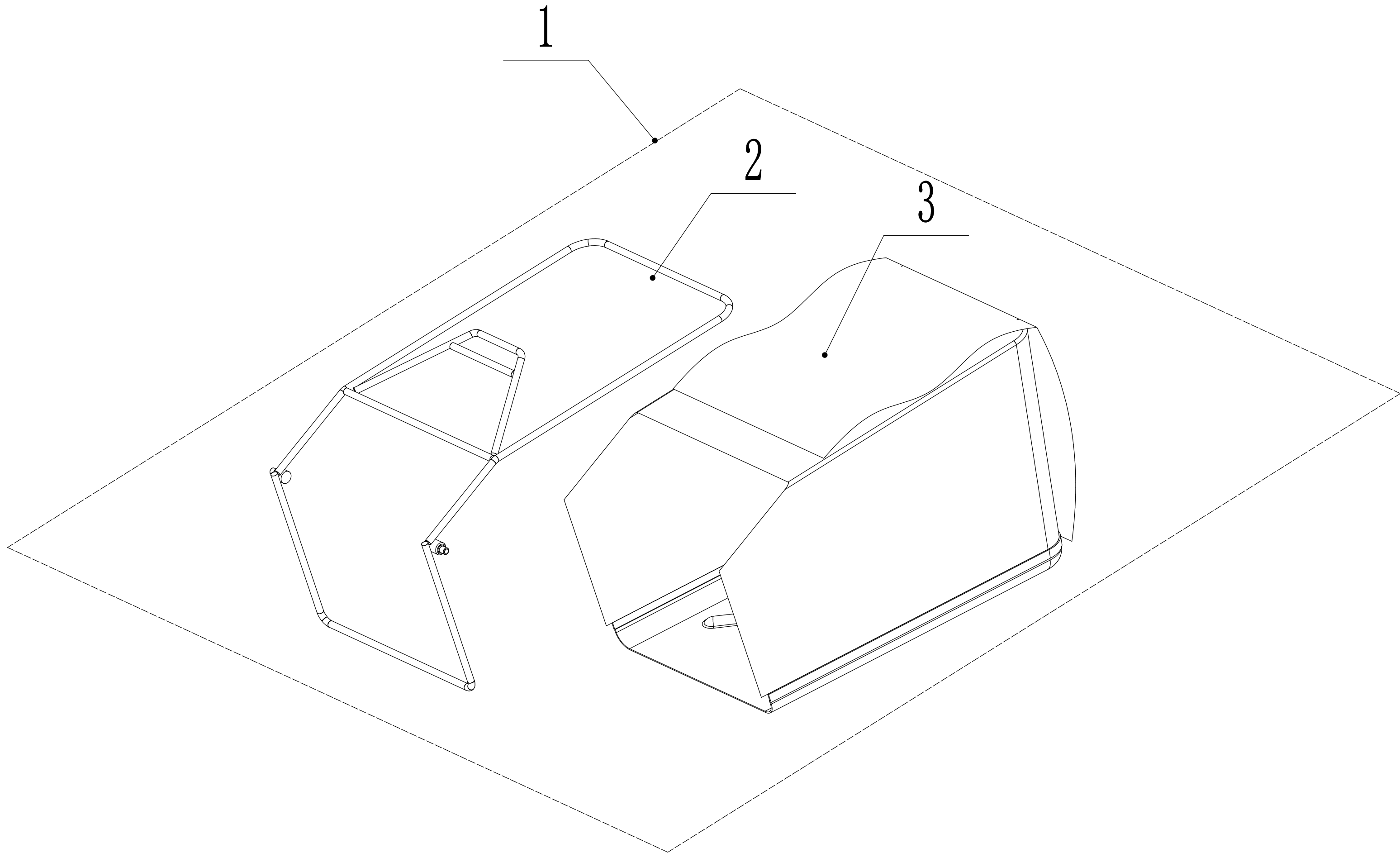
6 WB506SB V-3in1 Handle and Controls



Part 6 - Handle and Controls

| No. | ID Zboží | Název |
|-----|-------------------|------------------------------|
| 1 | 5020501020S/44 | handle |
| 2 | GM56E010000080 | sheath |
| 3 | 5320511030S/44 | clutch lever weldment |
| 4 | 5320503020S/44 | brake lever weldment |
| 5 | 5020501030S | upper cover |
| 6 | 5380508010 | grip |
| 7 | 0106003013 | screw |
| 8 | 5380510010 | grip |
| 9 | 0108006060 | screw |
| 10 | 0108006050 | screw |
| 11 | 5020501040S | lower cover |
| 12 | LH186-1225 | brake cable |
| 13 | BS120-1140 | clutch calbe |
| 14 | 0113040018 | screw |
| 15 | ZD3/190 | ties |
| 16 | 0301006000 | spacer |
| 17 | 5380512010 | bracket |
| 18 | 0202006000 | lock nut |
| 19 | 5020501050S | bracket |
| 20 | 0202005000 | lock nut |
| 21 | 5360506011 | speed adjustment handle head |
| 22 | YM72-1040-A | throttle cable |
| 23 | TX123-1060-A | speed control cable |
| 24 | 4510511010/01 | hook |
| 25 | 0301005000 | spacer |
| 26 | 0104005008 | screw |
| 27 | 4510114030 | cap |
| 28 | GM48S000000100/02 | bolt |
| 29 | GM56A100400000 | lock lever |
| 30 | 0801008022 | pin |
| 31 | GM56A100000040/04 | spacer |
| 32 | GM56A100000050/01 | spacer |
| 33 | GM48S030200000 | tooth disc kit |
| 34 | 0201008000DD | lock nut |

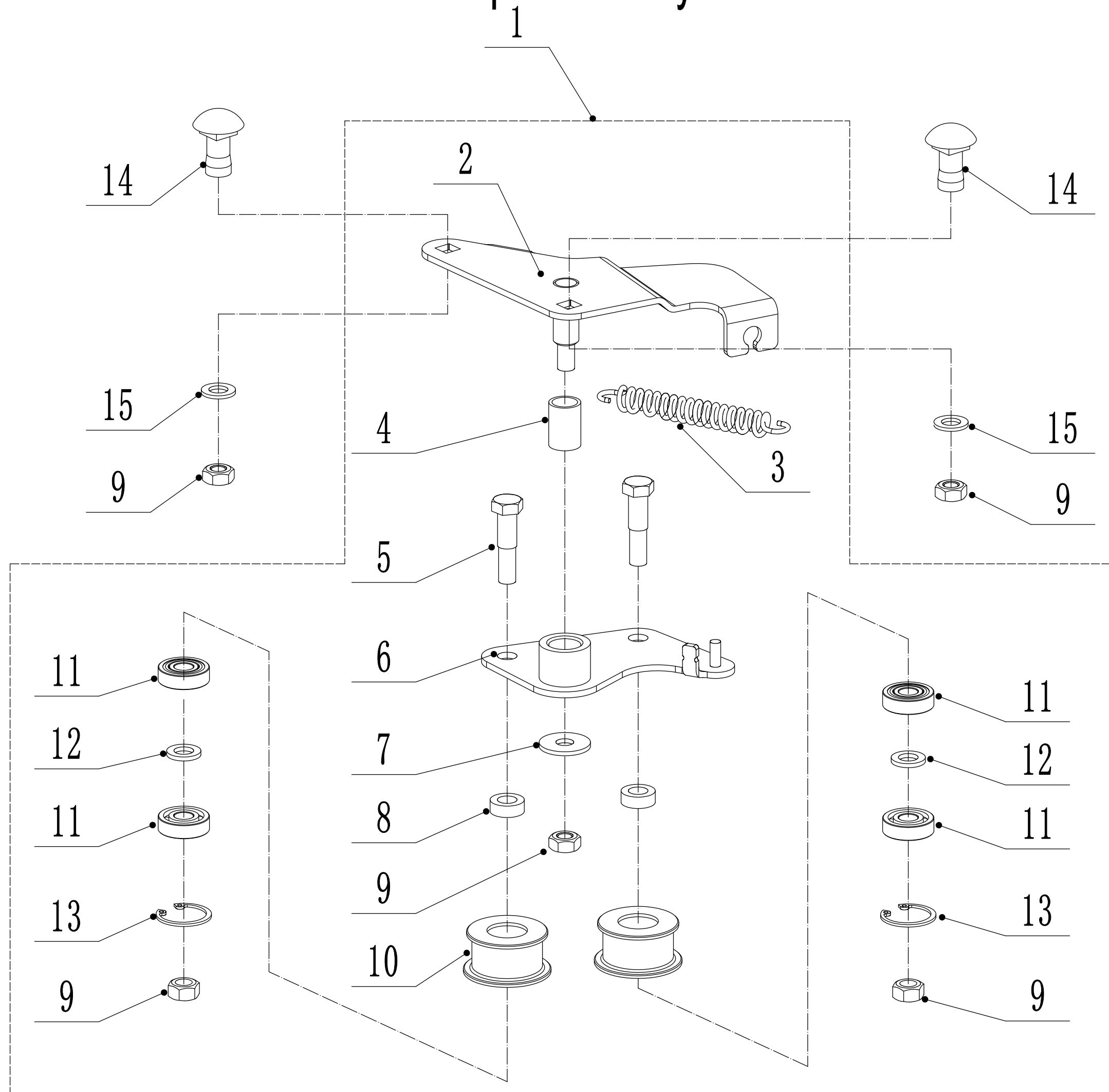
7 WB506SB V-3in1 Grasscatcher



Part 7 - Grasscatcher

| No. | ID Zboží | Název |
|------------|-----------------|------------------------|
| 1 | 5040601010 | grass catcher assembly |
| 2 | 5040602010/22 | grass catcher frame |
| 3 | 5040603010/81 | grass bag |

8 WB506SB V-3in1 Variable Speed Pulley



Part 8 - Variable Speed Pulley

| No. | ID Zboží | Název |
|-----|---------------|--------------------------|
| 1 | Y095040 | tensional pully assembly |
| 2 | 5040114010/02 | tensional arm bracket |
| 3 | 4820114010 | spring |
| 4 | 4820112010 | nylon bush |
| 5 | 5340131010/02 | tensional pulley bolt |
| 6 | 5040115010/02 | tensional arm weldment |
| 7 | 0302008000 | big flat washer |
| 8 | 5340129010/02 | spacer1 |
| 9 | 0202008000 | lock nut |
| 10 | 5340128010 | tensional pulley |
| 11 | 609/2RS | bearing |
| 12 | 5340130010/02 | spacer2 |
| 13 | 1001024000 | check ring for shaft |
| 14 | 0107008020 | square neck bolt |
| 15 | 0301008000 | flat washer |