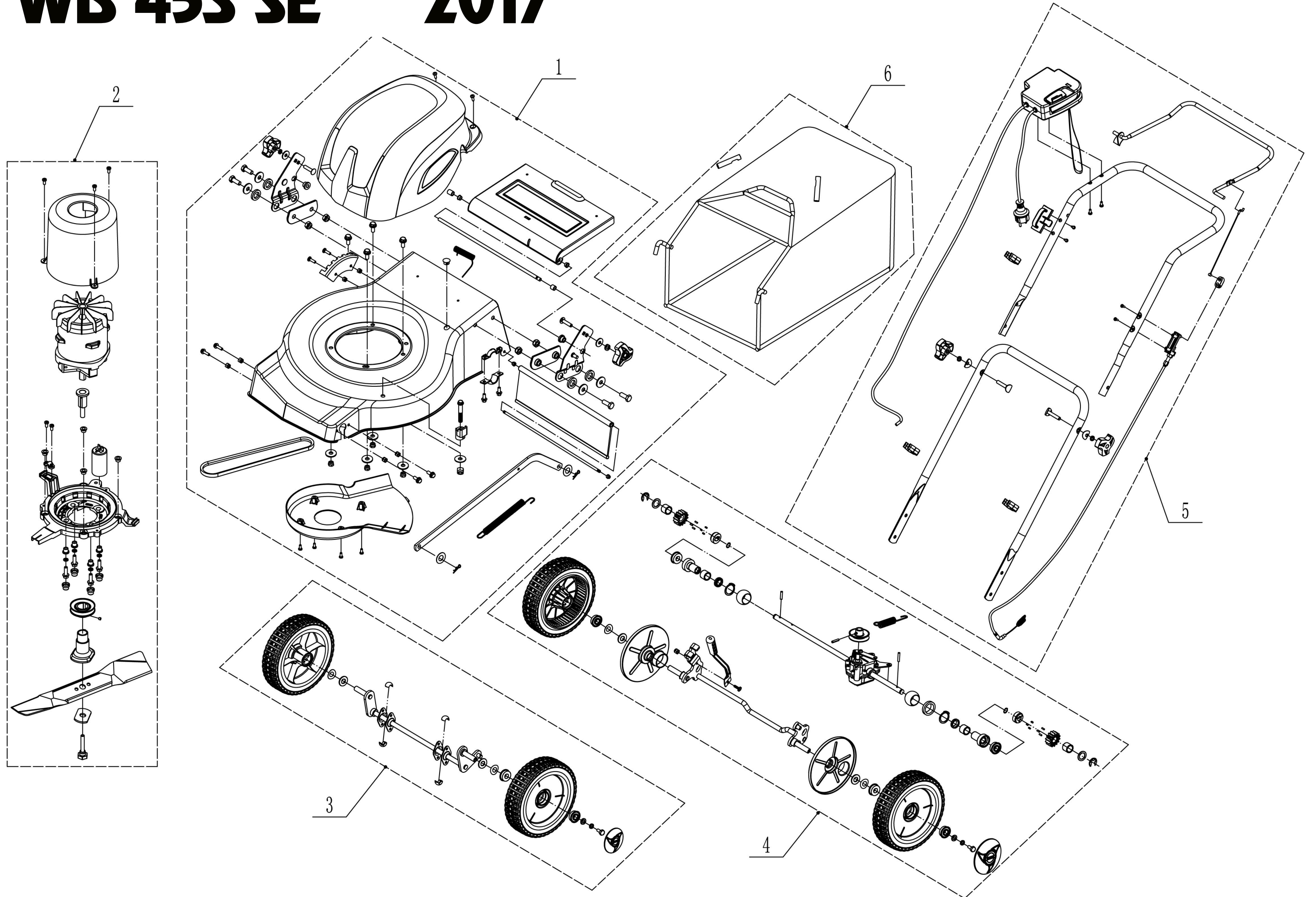
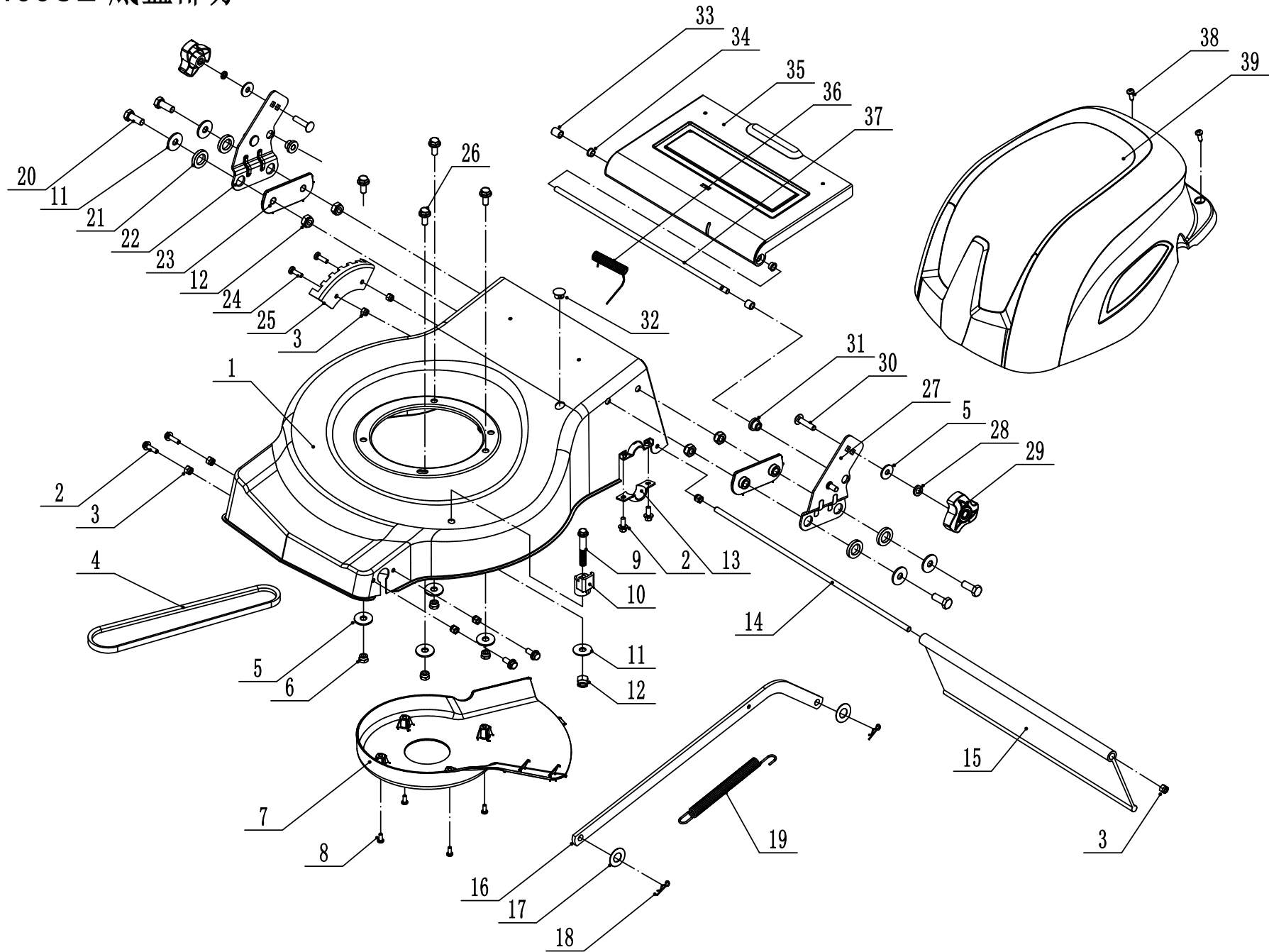


WB 453 SE

2017

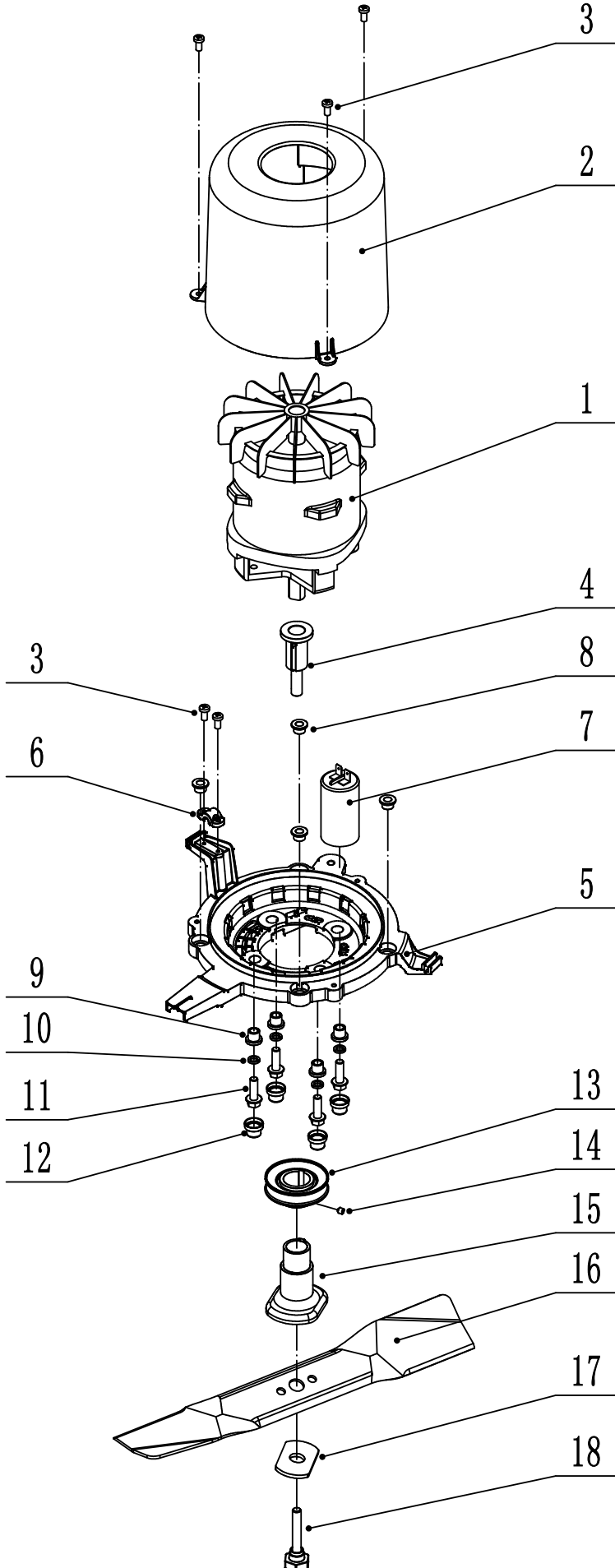


1 WB453SE 底盘部分



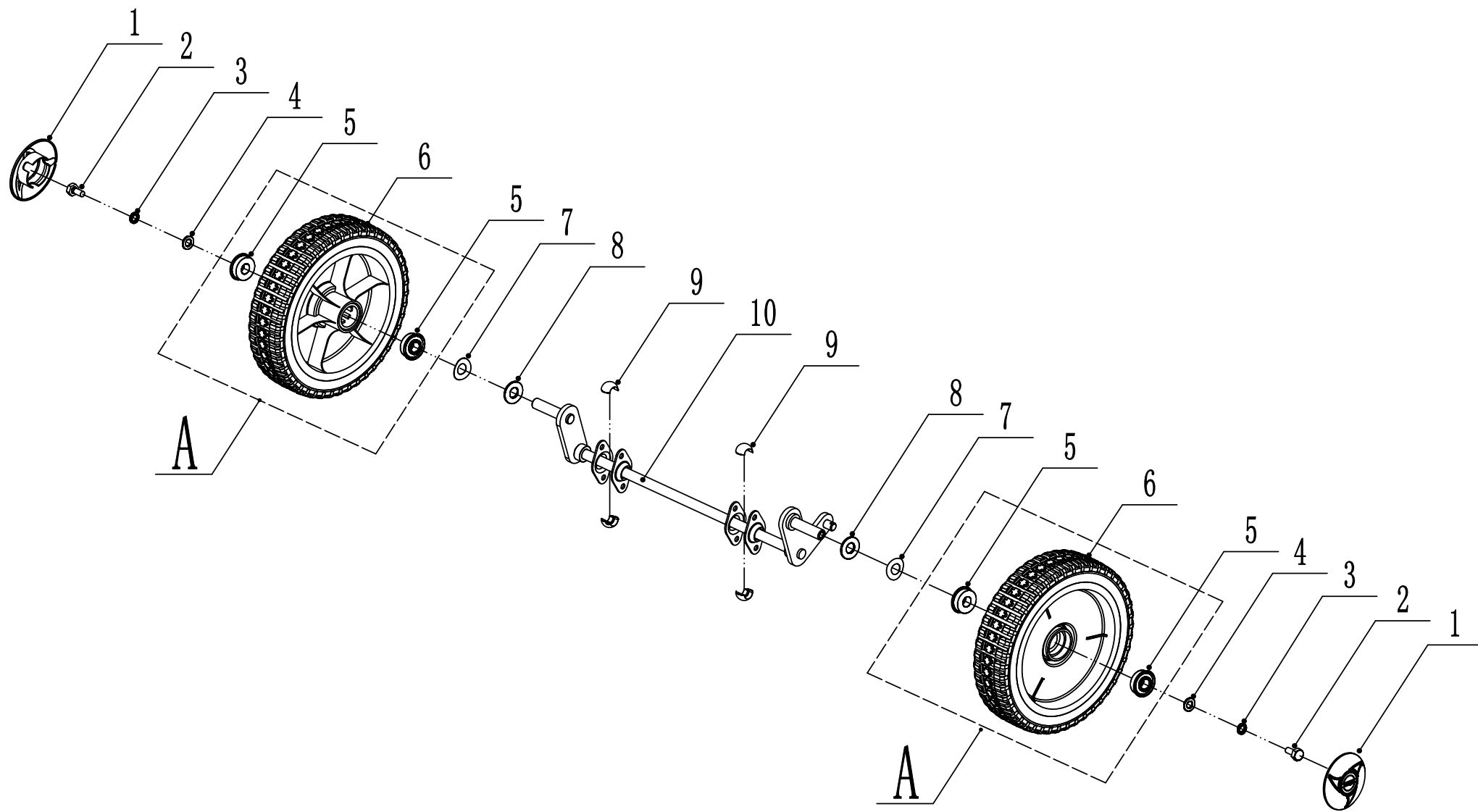
Order	Part number	Name_English	Quantity
1	4540101010/46	mower deck	1
2	0102006012	hex flange bolt	8
3	0202006000	hex lock nut	8
4	4520111010	belt	1
5	0301008000	flat washer	6
6	0202008000	hex lock nut	4
7	4540109010	belt cover	1
8	0106005019	cross slot ST screw	4
9	0102010045	hex flange bolt	1
10	5310317010	spring bracket	1
11	0302010000/02	big washer	5
12	0202010000	hex lock nut	5
13	5320114020/01	upper bearing bracket	2
14	4510112010/02	tail pivot	1
15	4510111010	deflector	1
16	4510310020/46	linkage	1
17	0301010000	flat washer	2
18	5320333010	check ring	2
19	4510311010/01	spring	1
20	0101010025	hex bolt	4
21	4540106010	spacer	4
22	4540104010/22	right bracket	1
23	4540105010	spacer of left bracket	2
24	0104006014	cross slot screw	2
25	4510107010/01	graduator	1
26	0102008020	hex flange bolt	4
27	4540103010/22	left bracket	1
28	0401008000	spring washer	2
29	4820541010	knob	2
30	4510513010/01	square neck bolt	2
31	4540107010	bush	2
32	4520514010	bush	1
33	5320136010/02	spacer	2
34	5320127021	bush	2
35	4510113020/22	rear cover	1
36	4510115010	spring of rear cover	1
37	4510114020/02	pivot of rear cover	1
38	0106005019	cross slot ST screw	2
39	4540102010	motor cover	1

2 WB453SE 割草刀部件



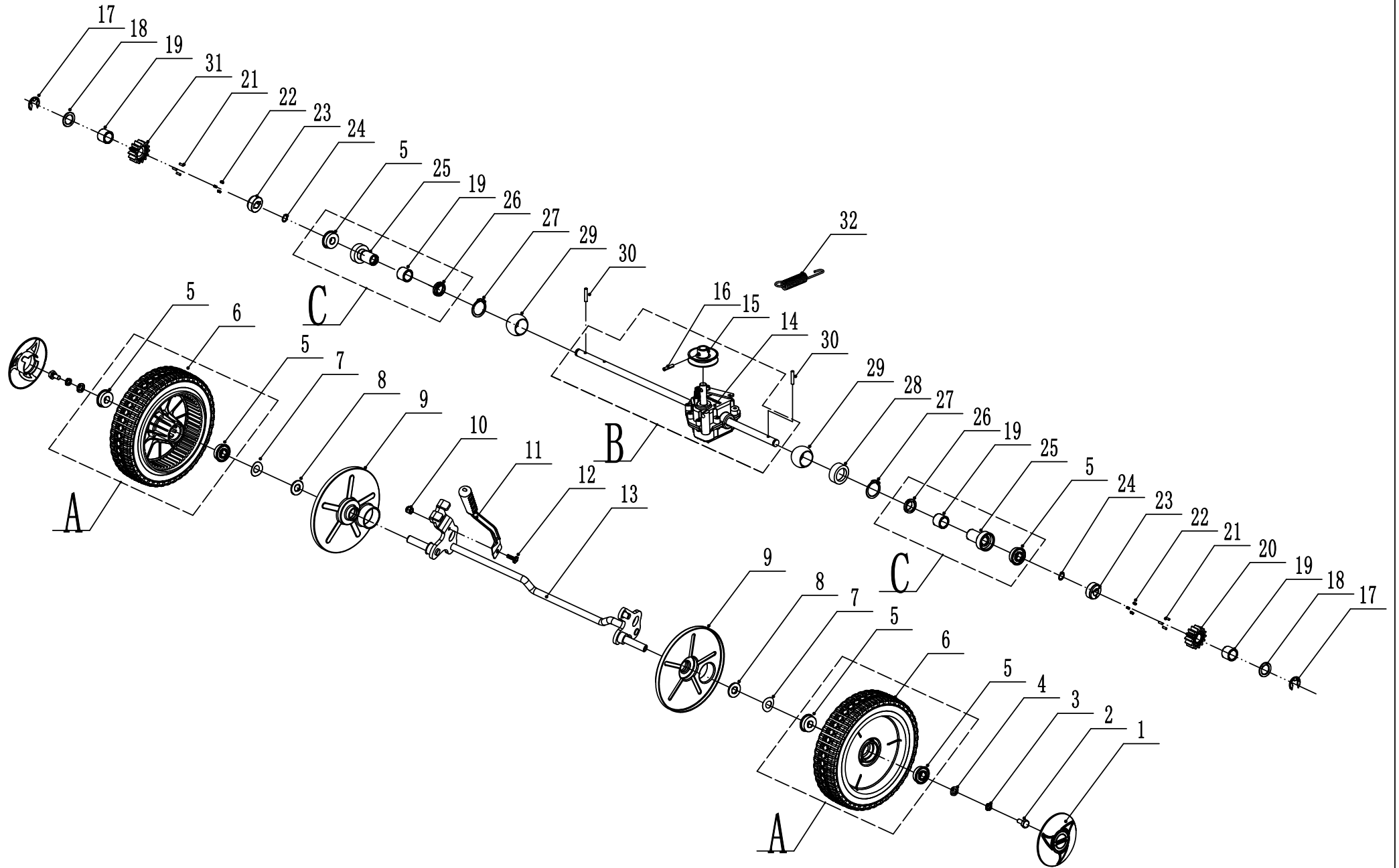
Order	Part number	Name_English	Quantity
1	YY801800	electric motor	1
2	4540410010	motor shield	1
3	0106005013	cross slot ST screw	5
4	4540409010	spindle sheath	1
5	4340408010	motor connector	1
6	4540414010	wire clip	1
7	DY25UF/450V	capacitor	1
8	4540413010/02	spacer	4
9	4540411010/02	spacer	4
10	0401008000	spring washer	4
11	0102008025	hex flange bolt	4
12	4540412010	spacer	4
13	4540402010	pulley	1
14	0105006006	locating screw	1
15	4540403010	adapter	1
16	4540404010/22	blade	1
17	4540407010/04	spring washer	1
18	4540405010	central bolt	1

3 WB453SE 前轴总成



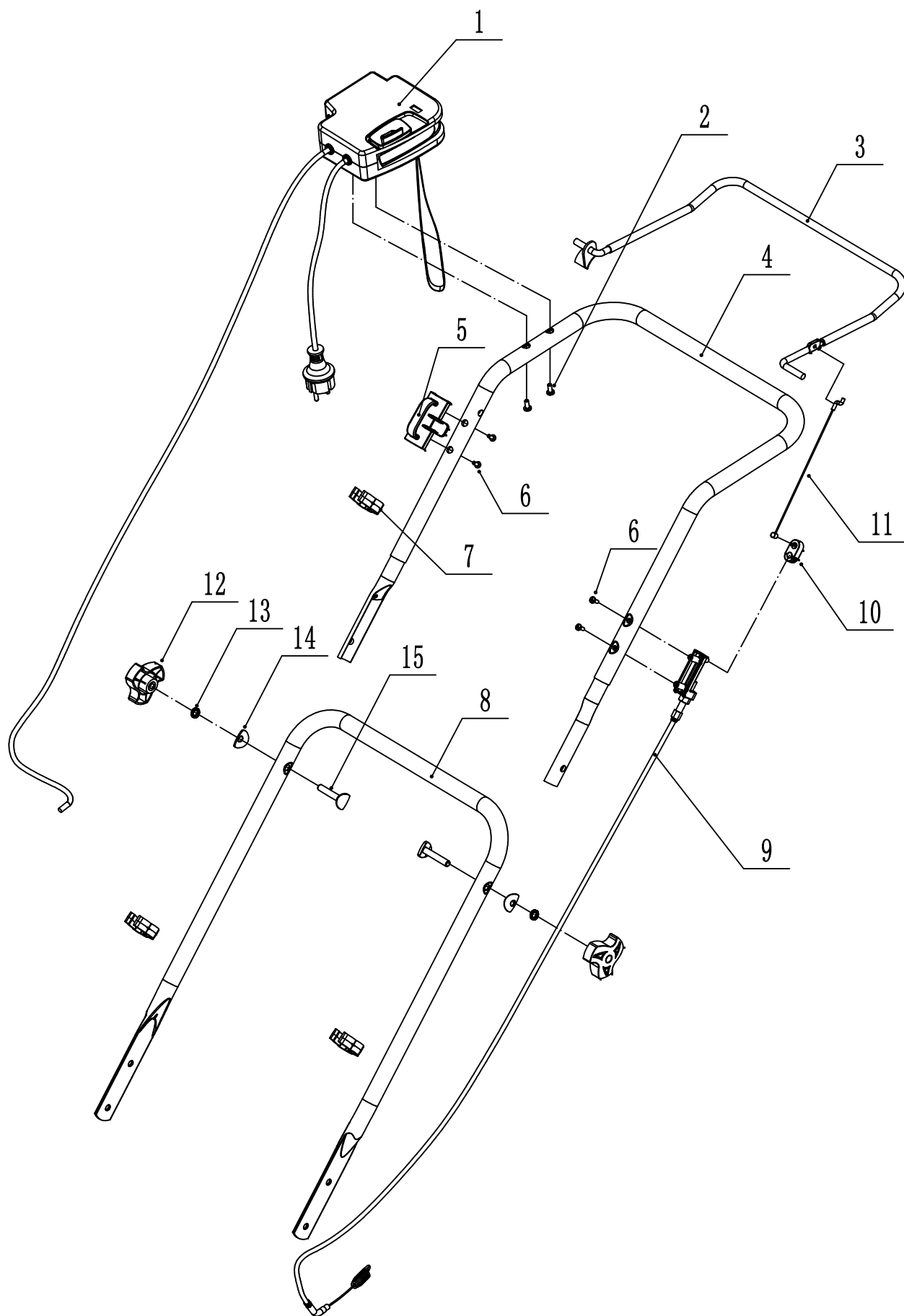
Order	Part number	Name_English	Quantity
1	5310214010	hub cap	2
2	0101008016	hex bolt	2
3	0401008000	spring washer	2
4	0301008000	flat washer	2
A		front wheel assembly	2
5	5310213010	WEIBANG bearing	4
6	4520204010	wheel	2
7	5310211010/04	spacer spring	2
8	5310210010/02	wheel axle washer	2
9	5310209010	ball bearing	4
10	4510201010/01	front axle weldment	1

4 WB453SE 后轴总成



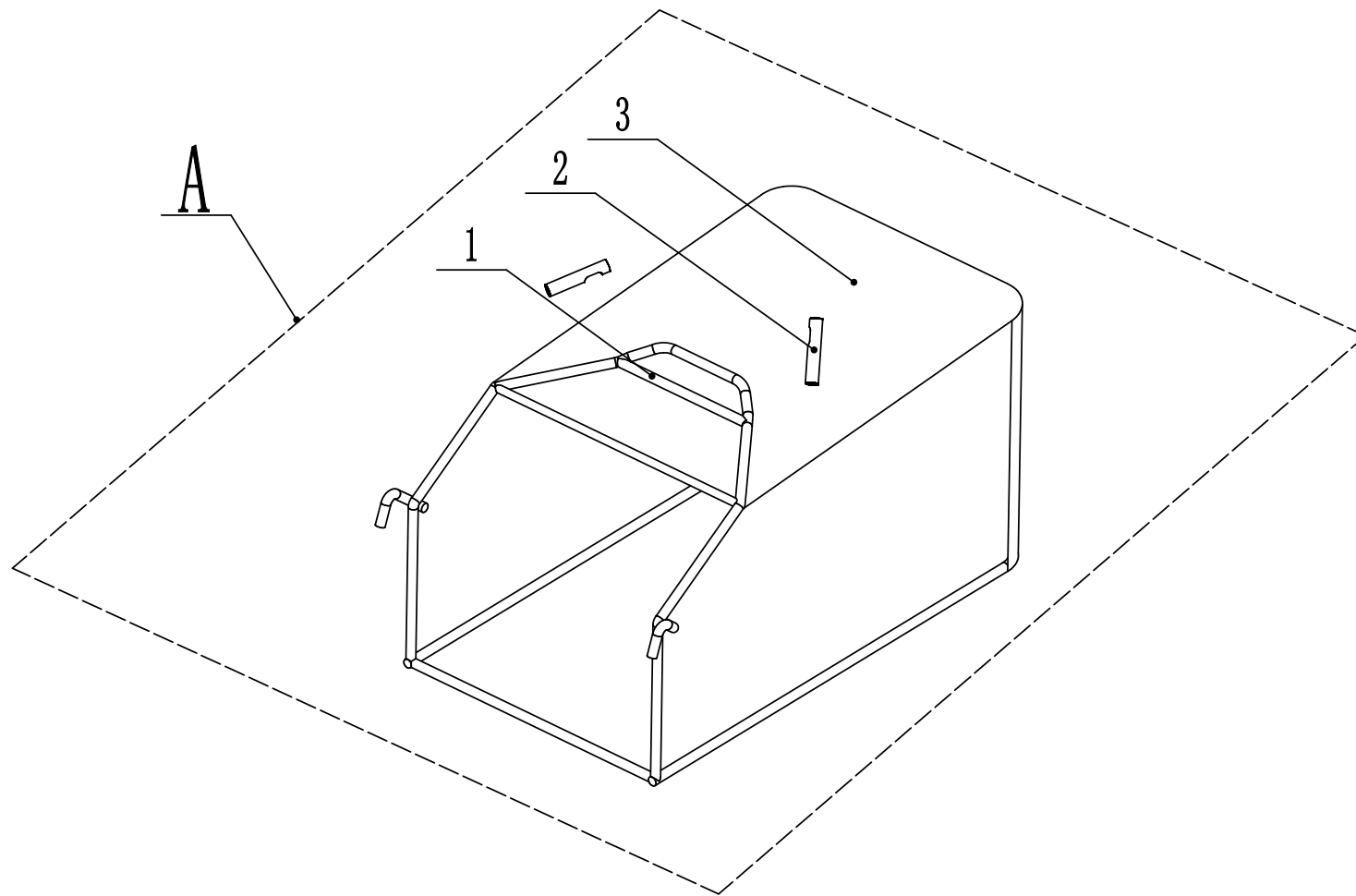
Order	Part number	Name_English	Quantity
1	4520205010	hub cap	2
2	0101008016	hex bolt	2
3	0401008000	spring washer	2
4	0301008000	flat washer	2
A		rear wheel assembly	2
5	5310213010	bearing	6
6	4820305010	rear wheel	2
7	5310211010/04	spring washer	2
8	5310210010/02	wheel axis washer	2
9	4520308010	rear wheel dustproof cover	2
10	0202006000	hex lock nut	1
11	4510303010	adjustment lever	1
12	0104006014	cross slot screw	1
13	4520301010/01	rear axle weldment	1
B		rear transmisson assembly	1
14	Y054540P	gearbox	1
15	4540318010	pulley	1
16	0701005020	spring pin	1
17	1301009000	check ring	2
18	5020311010/04	anti-friction mat	2
19	5320326010	oil bearing B	4
20	HQ000100010	left pinion	1
21	HQ000100030	Unidirectional telescopic pin	6
22	HQ000100040	Unidirectional telescopic pin spring	6
23	HQ000100050	Unidirectional block	2
24	1001012000	check ring for shaft	2
C	Y065320	bearing sheath assembly	2
25	5320324020/02	bearing sheath	2
26	5320327010	dustproof ring	2
27	1001020000	elastic ring for A-form axle	2
28	4520313010/02	spacer	1
29	5320328010	nylon ball bearing	2
30	HQ000100060		2
31	HQ000100020	right pinion	1
32	4520312010	spring	1

5 WB453SE 把手总成



Order	Part number	Name_English	Quantity
1	4540503010	switch	1
2	0106005019	cross slot ST screw	2
3	4540504010	drive control lever	1
4	4540501010	upper handle	1
5	4540505010	cable bracket	1
6	0106004013	cross slot ST screw	4
7	4540507010	cable clip	3
8	4540502010/22	lower handle	1
9	4540506010	clutch cable	1
10	4540506030	connector	1
11	4540506040	upper cable	1
12	4820541010	knob	2
13	0401008000	pring washer	2
14	4510510010/01	arc washer	2
15	5310510010/01	connecting bolt	2

6 WB453SE 集草袋总成



Order	Part number	Name_English	Quantity
		grass catcher	1
1	4510602030/22	frame	1
2	4510602050	sheath	2
3	4510603120/81	grass bag	1